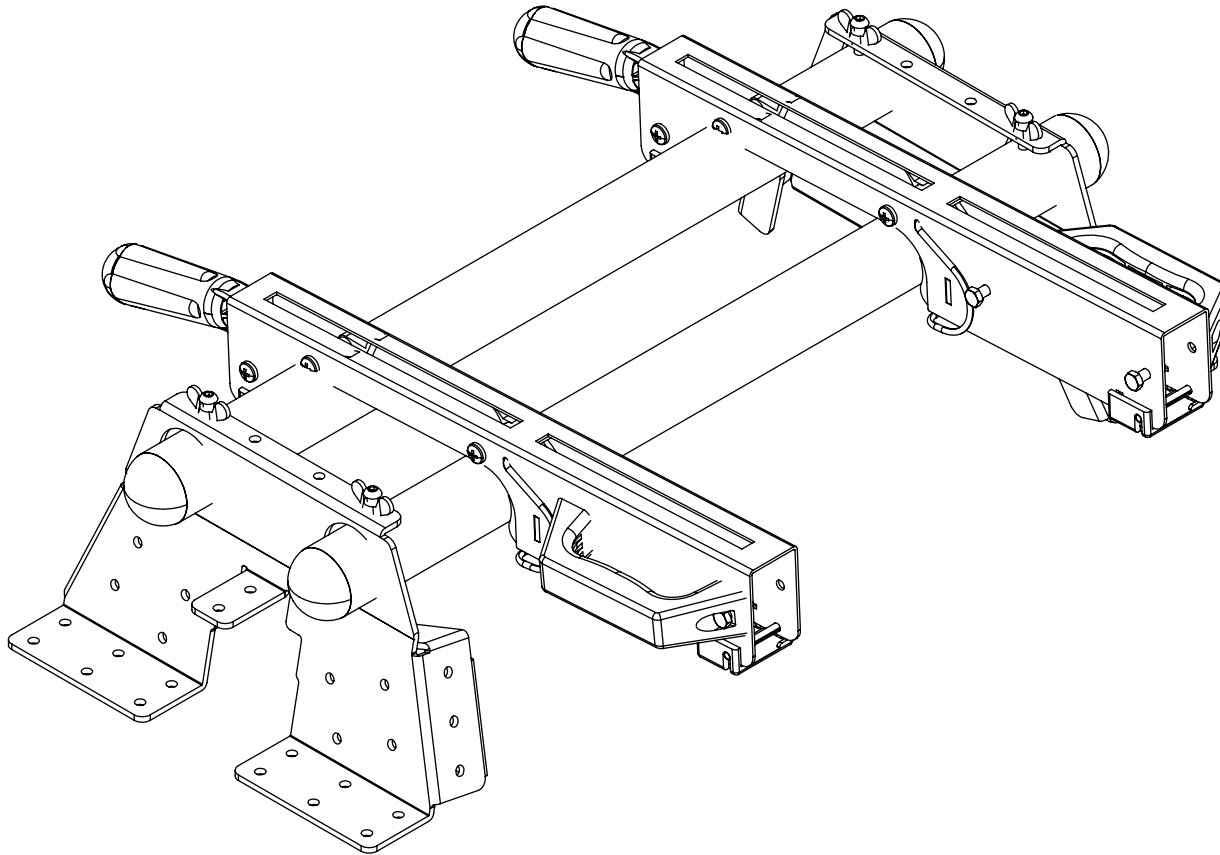




# PROTOCOL™

## PRODUCT MANUAL 5-IN-1 MITER SAW STATION



\*SAVE THIS MANUAL FOR FUTURE REFERENCE

**92778**

**1**

## GENERAL SAFETY INFORMATION

For your safety, please read these instructions carefully before use and keep them in the area where your tools will be used. Failure to follow all instructions listed below may result in electric shock, fire, and/or serious personal injury.



## WORK AREA SAFETY

- Always work in a clean and well lit area.
- Avoid distractions by keeping bystanders, children, and visitors away while operating a tool.
- Keep floors dry and free of slippery materials that may invite accidents.
- Do not operate power tools in explosive atmospheres, such as in the presence of flammable liquids, gases, or dust. Tools create sparks which may ignite the dust or fumes.



## PERSONAL SAFETY

- Stay alert, watch what you are doing and use common sense when operating near power tools. Do not use tools while tired or under the influence of drugs, alcohol, or medications. A moment of inattention while operating power tools may result in serious personal injury.
- Dress properly. Do not wear loose clothing or jewelry.
- Contain long hair. Keep your hair, clothing, and gloves away from moving parts. Loose clothes, jewelry, or long hair can be caught in moving parts.
- Avoid accidental starting. Be sure switch is OFF before plugging in. Carrying tools with your finger on the switch or plugging in tools that have the switch ON invites accidents.
- Always use safety equipment and wear eye protection.
- Dust masks, non-skid safety shoes, hard hats, or hearing protection should be used for appropriate conditions.



## TOOL USE AND CARE

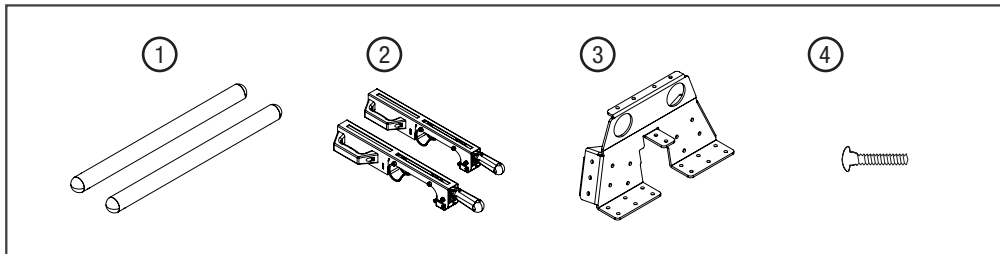
- Disconnect electrical plugs from the power source before making any tool adjustments to reduce the risk of inadvertent tool starts.
- Store idle tools out of the reach of children and other untrained persons. Tools are dangerous in the hands of untrained users.
- Always inspect tools for conditions that may affect operation. Many accidents are caused by poorly maintained tools.
- Keep tool handles clean, dry and free from oil or grease to allow for better control of the tool.
- Grounded tools must be plugged into an outlet, properly installed and grounded in accordance with all codes and ordinances. Never remove the grounding prong or modify the plug in any way. Do not use any adapter plugs. Check with a qualified electrician if you are in doubt as to whether the outlet is properly grounded. If the tool should electrically malfunction or break down, grounding provides a low resistance path to carry electricity away from the user.
- Avoid body contact with grounded surfaces. There is an increased risk of electrical shock if your body is grounded.
- Don't expose electrical tools to rain or wet conditions. Water entering a tool will increase the risk of electrical shock.



- Do not abuse cords! Never use the cord to pull the plug from an outlet. Keep cord away from heat, oil, sharp edges or moving parts. Replace damaged cords immediately. Damaged cords increase the risk of electrical shock.
- When operating a power tool outside, use an outdoor extension cord marked “W-A” or “W.” These cords are rated for outdoor use and reduce the risk of electrical shock.
- Use only three-wire extension cords which have three-prong grounding plugs and three-pole receptacles which accept the tool’s plug. Use of other extension cords will not ground the tool and increase the risk of electrical shock.
- Dust masks, non-skid safety shoes, hard hats, or hearing protection should be used for appropriate conditions.

## PARTS LIST

PART #	DESCRIPTION	QTY
1	MOUNTING BEAMS	2 pcs
2	RAPID CLAMP TOOL MOUNTS	2 pcs
3	MOUNTING PLATES	2 pcs
4	MOUNTING BEAM SCREW AND NUT ASSEMBLY	4 pcs



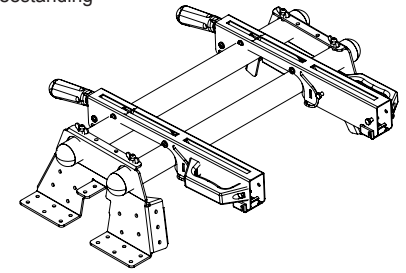
## TOOL DESCRIPTION

The Protocol 5-In-1 Miter Saw Station is constructed of extra-heavy gauge, rust-resistant steel, with mounting adapters that allow mounting of most power tools and miter saws. The station can be mounted on sawhorses, work tables, walls, 2x4's, or used as a freestanding unit.

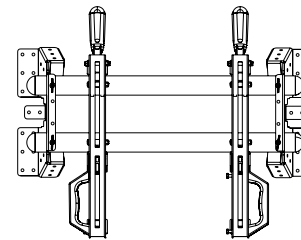
## ASSEMBLY - REQUIRED TOOLS

Phillips Head Screwdriver (when mounting)

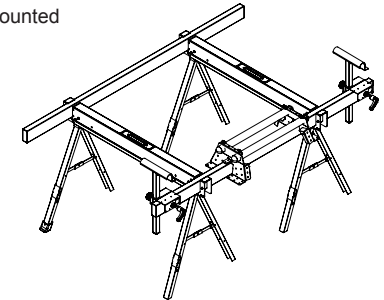
Freestanding



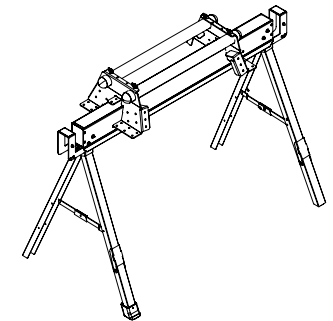
Wall Mounted



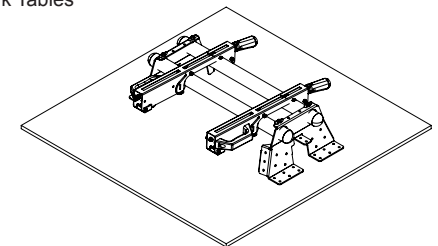
2x4 Mounted



Sawhorse Mounted



Work Tables



## ASSEMBLY INSTRUCTIONS

1. Carefully remove the contents of the box and place the materials on a flat surface (table, floor, etc.).
2. Identify the included parts: Pipe Beams (2), Pipe End Caps (4), Mounting Adapter Arms (2), Mounting Plates (2), O-Rings (8) and Mounting Screws (16).
3. Slide one O-Ring approximately 4" on to the end of each Pipe Beam (distance will vary based on your power tool).
4. Slide both Pipe Beams through the holes in one of the Mounting Plates and seal with an additional O-Ring. Repeat for the opposite side.

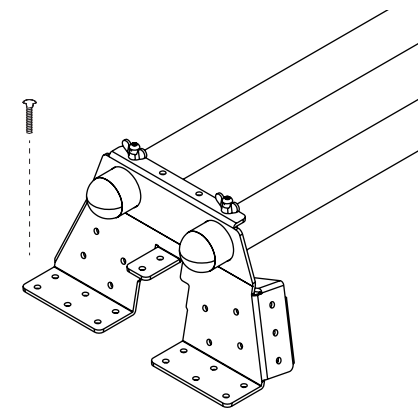
## MOUNTING INSTRUCTIONS

1. For Walls: Use the 16 Mounting Screws provided or other appropriate hardware to securely mount the 5-in-1 Miter Saw Station to a wall. Place the Mounting Plates onto your intended mounting surface (See Fig. 1). With a marker trace the inside of the machined holes. Remove the plates and pre drill holes for mounting hardware. Then align bolt mounting holes with pre drilled holes. Attach plates to your desired surface using attaching hardware (included) being sure not to over tighten.

**DANGER: FOR WALL MOUNTING SCENARIOS, USE ONLY THE MOUNTING ADAPTER ARMS INCLUDED WITH THIS KIT FEATURING THE J-LOCK™ . WITHOUT THIS UNIQUE CLIP, IT IS POSSIBLE THAT YOUR TOOL COULD BECOME DISLODGED FROM THE MOUNT IF BUMPED.**

2. For Saw Horses: Place the 5-in-1 Miter Saw Station over your saw horse (metal horses). For wooden saw horses, use wood screws to attach the 5-in-1 Miter Saw Station in place.
3. For Surfaces: Use the 16 Mounting Screws provided or other appropriate hardware to securely mount the 5-in-1 Miter Saw Station to a wall. Place the Mounting Plates onto your intended mounting surface (See Fig. 1). With a marker trace the inside of the machined holes. Remove the plates and pre drill holes for mounting hardware. Then align bolt mounting holes with pre drilled holes. Attach plates to your desired surface using attaching hardware (included) being sure not to over tighten.
4. Mounting For Miter Saws/Power Tools: Attach both Mounting Adapter Arms to your power tool. With the red Rapid Clamp Handles in the open position, place them onto the Pipe Beams and swing the handles into the closed position. Next, snap the J-Lock™ closed to prevent the mounted tool from detaching from the Wall Mount Bracket.

FIG 1



**CAUTION: TO REDUCE THE RISK OF INJURY, YOU MUST READ AND UNDERSTAND THE PRODUCT MANUAL. SAVE THESE INSTRUCTIONS FOR FUTURE REFERENCE.**

**WARNING: READ AND UNDERSTAND ALL SAFETY INSTRUCTIONS IN THIS MANUAL, INCLUDING ALL SAFETY ALERT SYMBOLS, SUCH AS “DANGER,” “WARNING,” AND “CAUTION” BEFORE USING THIS POWER TOOL. FAILURE TO FOLLOW ALL INSTRUCTIONS LISTED BELOW MAY RESULT IN ELECTRICAL SHOCK, FIRE AND/OR SERIOUS PERSONAL INJURY.**

## **GENERAL SAFETY INSTRUCTIONS FOR POWER TOOLS**

Using power tools can be dangerous if safe operating procedures are not followed. Recognizing the hazards of each tool and using them with respect and caution considerably limits the possibility of personal injury. However, if safety precautions are ignored, personal injury will likely result. Always use common sense – your personal safety is your responsibility.

1. Know your power tool. Read and understand the Product Manual and observe the warnings and instruction labels affixed to the tool.
2. Remove adjusting keys and wrenches.
3. Keep work area clean and dry.
4. Keep children away.
5. Wear safety glasses or goggles.
6. Never stand or sit on tools.
7. Replace damaged components immediately.
8. Make sure your work platform is sufficiently sturdy to do the specific job at hand.

**WARNING: IF YOU ARE MOUNTING POWER TOOLS TO YOUR OVERSIZED TOOL ACCESSORY MOUNT, THEN MAKE SURE IT IS WELL BALANCED AND WELL SECURED TO YOUR WORKSTATION TO INSURE IT IS STABLE AND SAFE TO USE.**

For questions/comments, warranty registration, technical assistance or repair parts, please call (900) 255-7011 (Monday-Friday, 8AM-5PM CST) or visit [www.protocolequipment.com](http://www.protocolequipment.com). SAVE YOUR PURCHASE RECEIPTS FOR WARRANTY VALIDATION.



**LIFETIME | LIMITED  
WARRANTY**

PROTOCOL™ 5-in-1 Miter Saw Station is backed by a Limited Lifetime Warranty. This warranty covers manufacturer defects and workmanship. The warranty excludes misuse or abuse and normal wear and tear. Exclusion is not allowed in some states and may not apply. This warranty gives you specific legal rights, and you may have other rights, which vary from state to state.

**JS PRODUCTS | 6445 MONTESSOURI STREET | LAS VEGAS, NV 89113**  
800.255.7011 | FAX: 775.898.8773 | FOR MORE PRODUCTS AND ACCESSORIES GO TO [WWW.PROTOCOLEQUIPMENT.COM](http://WWW.PROTOCOLEQUIPMENT.COM)