

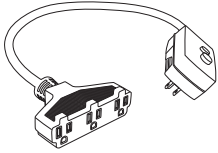
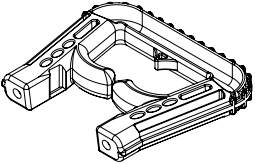






PROTOCOL™

PRODUCT MANUAL MITER SAW HANDLE & GFCI



PARTS LIST

PART #	DESCRIPTION	QTY	①	②	③	④	⑤	⑥
1	GFCI	1 pc						
2	Miter Saw Handle	1 pc						
3	Bolts	2 pcs						
4	Nuts (8mm)	2 pcs						
5	Washer #8	2 pcs						
6	Spring Washer #8	2 pcs						

REQUIRED ASSEMBLY TOOLS

Tools needed (Hex head driver)

ASSEMBLY INSTRUCTIONS - ATTACHING THE HANDLE

See Figure 1

1. Open package, remove the GFCI, Miter Saw Handle and components. Place parts on a flat surface.
2. Slide a Locking Washer and a Standard Washer onto a supplied Bolt.
3. Insert the Bolt through each hole located on the body of the miter saw stand, feeding them through the holes from the inside outwards
4. Locate the nut notches on the bottom side of the handle and feed the nut into the cavity aligning the holes and bolt.
5. Secure the handle in place by twisting the bolt into the nut and tightening.
6. Repeat steps 2 through 4 with a second nut, bolt and additional washers.

ASSEMBLY INSTRUCTIONS - ATTACHING GFCI

See Figure 2

1. Once the handle is attached to the miter saw stand, feed the GFCI through the middle of the Miter Saw Handle, it should fit snugly in the provided space.
2. Use existing instructions and safety warnings for the GFCI.

NOTE: FOR YOUR SAFETY, PLEASE ENSURE YOU READ THESE INSTRUCTIONS CAREFULLY BEFORE USE, AND KEEP THESE INSTRUCTIONS IN THE WORK SPACE WHERE THE GFCI & MITER SAW HANDLE WILL BE USED.

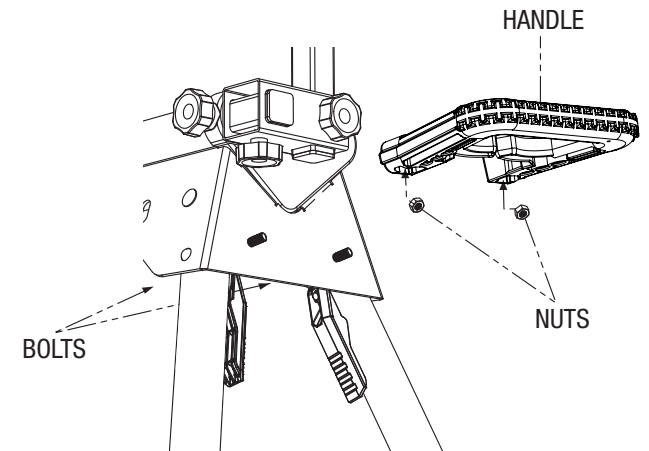
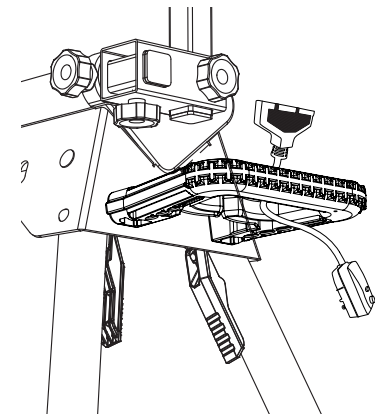


FIG 1



FEATURES

See Figure 2

1. Holds Power Tools
2. Holds Pencils
3. Speed Square Slot
4. Tape Measure Slot

THIS PRODUCT IS COMPATIBLE WITH THE PROTOCOL
WS-124 (#67105) AND WS-077 (#67106) WORK STATIONS.

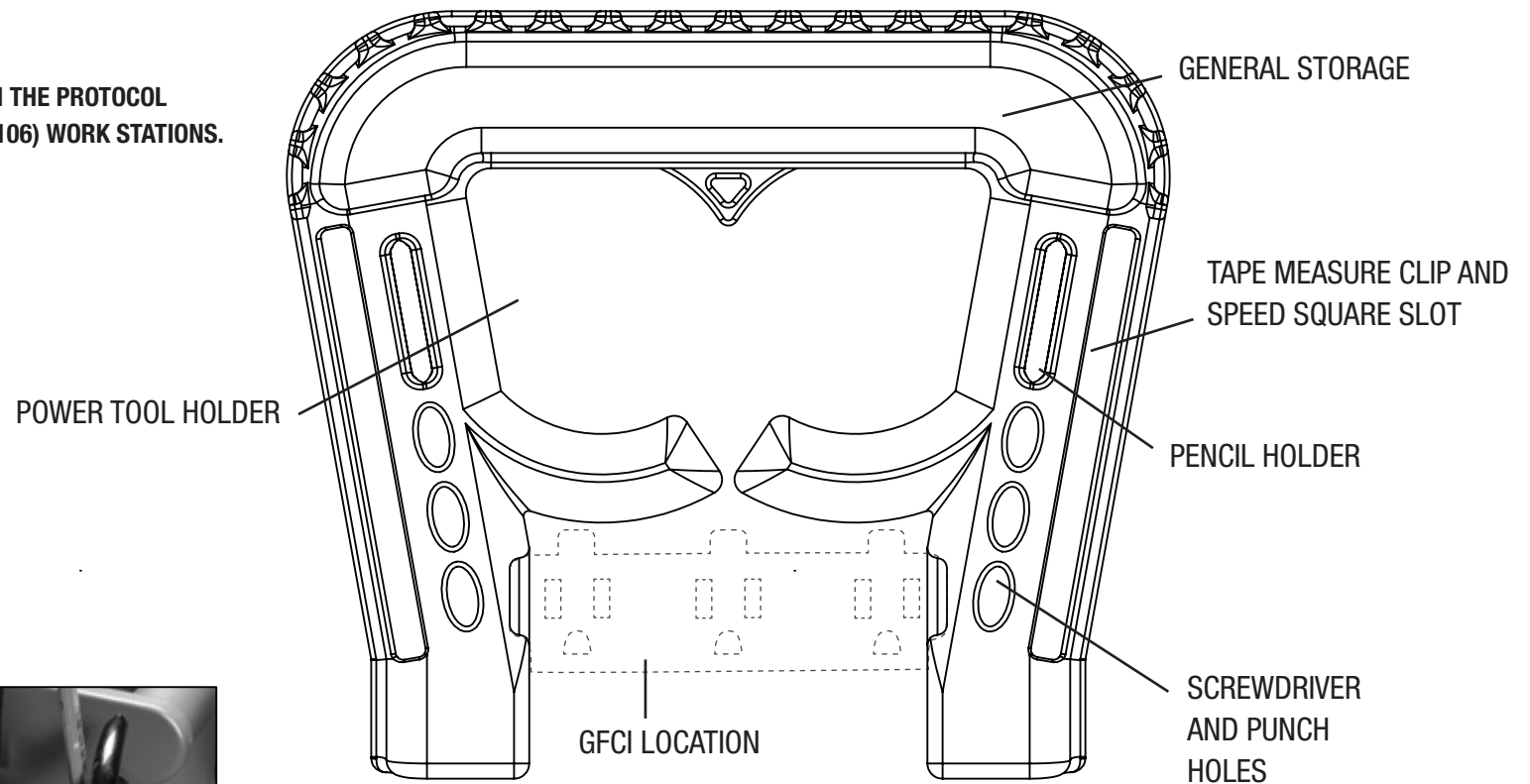


FIG 2



LIFETIME | LIMITED WARRANTY

PROTOCOL™ Miter Saw Handle and GFCI is backed by a Limited Lifetime Warranty. This warranty covers manufacturer defects and workmanship. The warranty excludes misuse or abuse and normal wear and tear. Exclusion is not allowed in some states and may not apply. This warranty gives you specific legal rights, and you may have other rights, which vary from state to state.

JS PRODUCTS | 6445 MONTESSOURI STREET | LAS VEGAS, NV 89113
800.255.7011 | FAX: 775.898.8773 | FOR MORE PRODUCTS AND ACCESSORIES GO TO WWW.PROTOCOLEQUIPMENT.COM